

Fig. 1

FOR THE "S.E. 2010"

SECRET

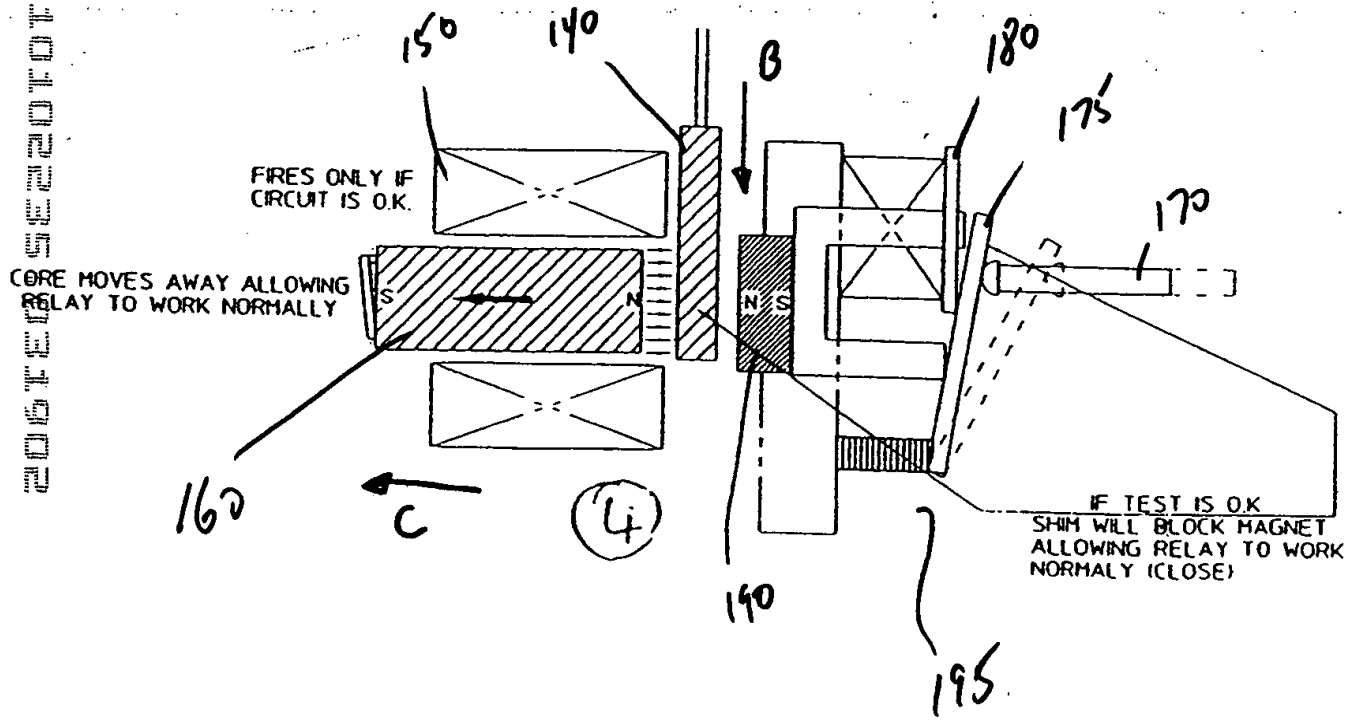


Fig. 2